

VEGADIS 61

External indicating and adjustment unit



Application area

VEGADIS 61 is suitable for measured value indication and adjustment of plics[®] sensors.

Advantages

- DOT matrix display with 4-key adjustment and lighting
- Clear text indication with graphical support
- Indication of trend and echo curves
- Indicating and adjustment module pluggable in 90° steps
- Can be mounted up to 25 m (cable length) away from the sensor

Function

VEGADIS 61 is connected to the sensor with a screened four-wire standard cable up to 25 m long. Communication is carried out via this cable and the VEGADIS 61 is also powered by the sensor.

Technical data

General data

Materials

- Housing plastic PBT, Alu die-casting, 316L
- Inspection window in housing cover for indicating and adjustment module Polycarbonate (UL-746-C listed)

– Ground terminal 316Ti/316L

Weight approx. 0.35 kg (0.772 lbs)

Adjustment circuit

Connection to VEGA plics[®] sensors
Data transmission digital (I²C-Bus)

Indicating and adjustment module

Indication LC display in dot matrix

Adjustment elements 4 keys

Protection rating

- unassembled IP 20
- mounted into VEGADIS 61 without cover IP 40

Materials

- Housing ABS
- Inspection window Polyester foil

Electromechanical data

Cable gland 1 x cable gland M20 x 1.5 (cable: ø 5 ... 9 mm), 1 x blind stopper M20 x 1.5 or 1 x closing cap ½ NPT, 1 x blind stopper ½ NPT

Spring-loaded terminals for wire cross-section up to 2.5 mm² (AWG 14)

Ambient conditions

Ambient temperature -20 ... +70 °C (-4 ... +158 °F)

Storage and transport temperature -40 ... +80 °C (-40 ... +176 °F)

Electrical protective measures

Protection rating

- Housing plastic IP 66/IP 67
- Housing Aluminium, stainless steel IP 66/IP 68 (0.2 bar)

Overvoltage category III

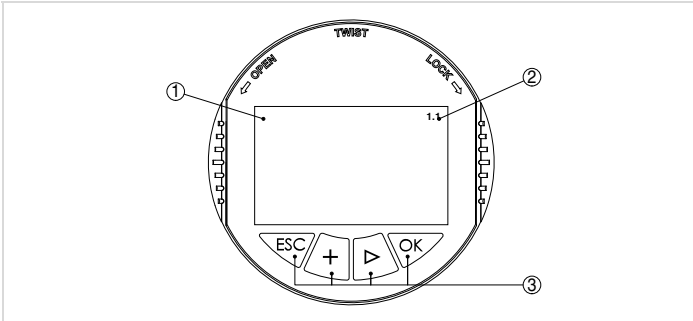
Protection class II

Approvals

You can find detailed information on the existing approvals in the "configurator" on our homepage under www.vega.com/configurator.

Operation

The adjustment of the connected sensor is menu-controlled via four keys on the front and one LC display.



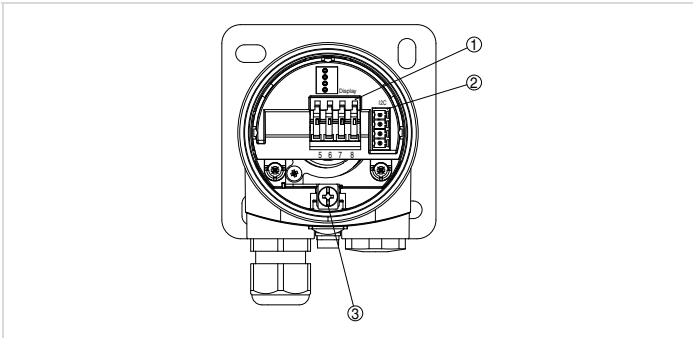
Indicating and adjustment elements

- 1 LC display
- 2 Indication of the menu item number
- 3 Adjustment keys

Contact

You can find the VEGA agency serving your area on our homepage www.vega.com.

Electrical connection

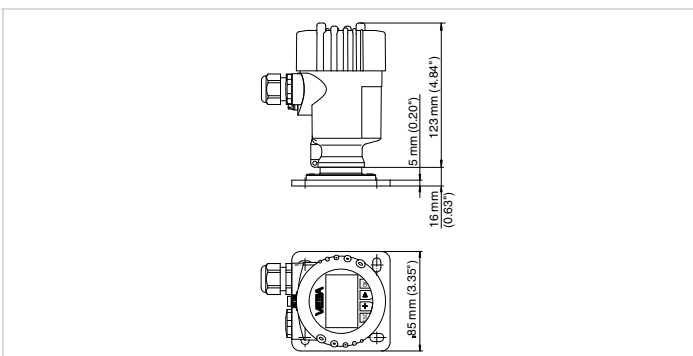


Electronics and connection compartment

- 1 Spring-loaded terminals for connection to the sensor
- 2 Plug connector for VEGACONNECT (I²C interface)
- 3 Ground terminal for connection of the cable screen

You can find details on the electrical connection in the operating instructions of the instruments on our homepage under www.vega.com/downloads.

Dimensions



Information

You can find further information about the VEGA product line on our homepage www.vega.com. In the download section under www.vega.com/downloads you'll find free operating instructions, product information, brochures, approval documents, instrument drawings and much, much more.