

VEGACAL 63

For connection to a signal conditioning instrument

Capacitive rod electrode for continuous level measurement



Technical data

Span	6 m (19.69 ft)
Process fitting	Thread from G $\frac{3}{4}$, $\frac{1}{2}$ NPT, flanges from DN 20
Process pressure	-1 ... +64 bar/-100 ... +6400 kPa (-14.5 ... +928 psig)
Process temperature	-50 ... +200 °C (-58 ... +392 °F)
Ambient, storage and transport temperature	-40 ... +80 °C (-40 ... +176 °F)
Operating voltage	12 ... 36 V DC

Materials

The wetted parts of the instrument are fully PTFE or PE insulated. You will find a complete overview of the available materials and seals in the "configurator" on our homepage under www.vega.com/configurator.

Area of application

The VEGACAL 63 level sensor can be used universally for the measurement of conductive liquids. The rod electrode is fully insulated and the proven construction ensures high functional safety.

Advantages

- Long lifetime and low maintenance requirement through robust mechanical construction
- Savings through simple mounting and setup
- Maximum use of the vessel, because measurement over the complete probe length

Function

Sensor and vessel form the two electrodes of a capacitor. A capacitance change caused by a level change is evaluated by the integrated electronics and converted into a respective output signal. The level measurement is carried out via the complete sensor length without a dead zone.

Housing versions

The housings are available as single chamber or double chamber version in plastic, stainless steel or aluminium. They are available in protection ratings up to IP 68 (1 bar).

Electronics versions

The instruments are available in different electronics versions. Apart from the two-wire electronics with 4 ... 20 mA/HART, there are two pure digital versions with Profibus PA and Foundation Fieldbus possible as well as one version for connection to a signal conditioning instrument.

Approvals

The instruments are suitable for use in hazardous areas and are approved e.g. according to ATEX and IEC. The instruments have also different ship approvals such as e.g. GL, LRS or ABS.

You can find detailed information on the existing approvals in the "configurator" on our homepage under www.vega.com/configurator.

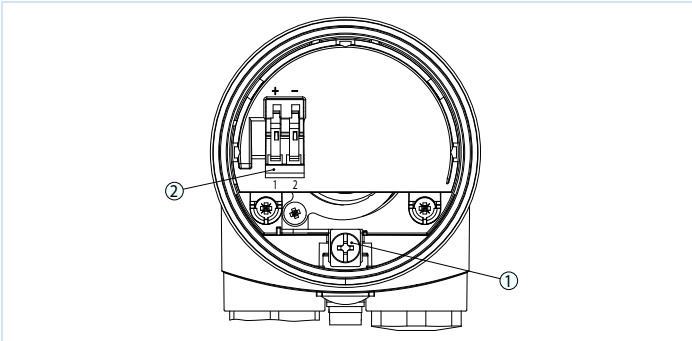
Operation

The operation of the instrument is carried out via a VEGAMET signal conditioning instrument.

Contact

You can find the VEGA agency serving your area on our homepage www.vega.com.

Electrical connection

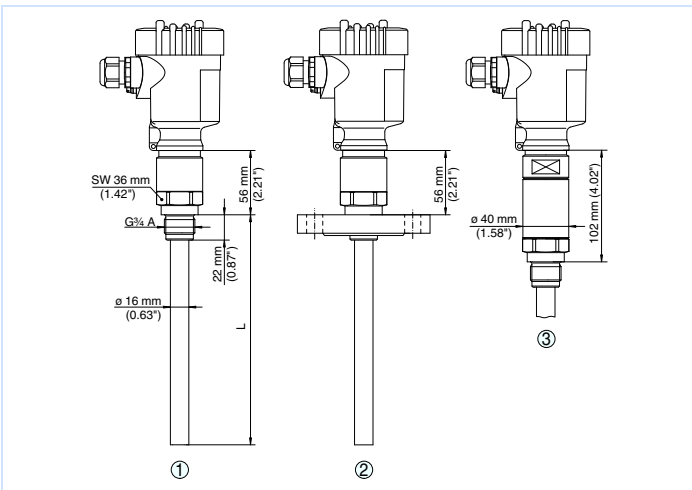


Electronics and connection compartment, single chamber housing

- 1 Ground terminal for connection of the cable screen
- 2 Spring-loaded terminals for voltage supply

You can find details on the electrical connection in the instrument operating instructions on our homepage at www.vega.com/downloads.

Dimensions



- 1 Threaded version
- 2 Flange version
- 3 Threaded version with temperature adapter

Information

You can find further information about the VEGA product line on our homepage www.vega.com. In the download section under www.vega.com/downloads you'll find free operating instructions, product information, brochures, approval documents, instrument drawings and much, much more. There, you will also find GSD and EDD files for Profibus PA systems as well as DD and CFF files for Foundation Fieldbus systems.

Instrument selection

With the "finder" you can select the most suitable measuring principle for your application: www.vega.com/finder. You can find detailed information on the instrument versions in the "configurator" on our homepage under www.vega.com/configurator.